



Subject to change without notice!  
Rev. 1601

## Metal separator M-Pulse2 / Digital2 MESEP

# Extraktor

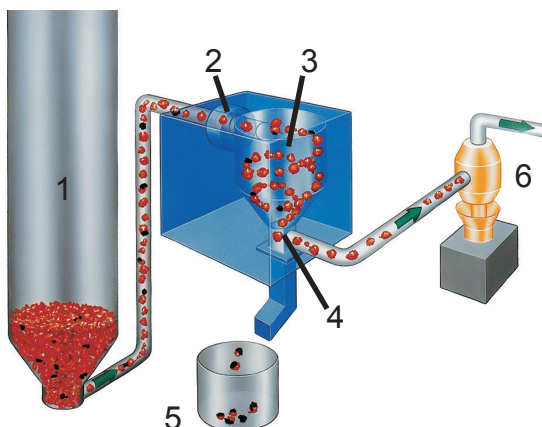
### Application

These separators are used for different applications in the plastics industry. The Extraktor has been developed exclusively for the operation on suction conveyors. The entire path through the Extraktor is completely airtight. Thus for example injection moulding machines with automatic feeding via a suction conveyor can be protected efficiently. The device is available in seven different connection types. Therefore the Extraktor can be operated with nearly each suction conveyor.



Metal separator Extraktor

### Function



- 1 - stock silo
- 2 - sensor
- 3 - cyclone
- 4 - separating filter
- 5 - special outlet for metallic residua
- 6 - suction conveyor

The suction conveyor sucks the material through the Extraktor. Thereby the material passes the sensor, streams afterwards through a cyclone and finally quits the device through a separating filter. If metal is detected, the filter opens and metal is led out. Simultaneously the sensor and the cyclone are blown out with compressed air in order to eliminate potentially left metallic residua. After that the separating filter is closed and the feeding continues. This mechanism is fully independent of the stream velocity. The correct functioning of the mechanics can be checked at the push of a button.



Metal separator Extraktor

Type	Extraktor 38 - 70						
	38	45	50	55	60	65	70
<b>Mechanical data</b>							
Dimensions	L x W x D: 450 x 450 x 300 mm						
Outer diameter of the inlet and outlet nozzle	38 mm	45 mm	50 mm	55 mm	60 mm	65 mm	70 mm
Material-ejection unit	stainless steel						
Material-base frame	ferrous						
Material-protection tube <sup>2</sup>	PU & phenolic resin						
Material-gasket	Linatex						
Weigth	~ 32 kg						
<b>Conditions of use</b>							
Storage temperature	-10°C .. 60°C						
Operating temperature	0°C .. 60°C						
Protection class	IP50						
Electrical connection	see datasheet of the control unit						
Pneumatic connection	4-6 bar, filtered, free of water & oil; self-sealing-coupling - fitting NW 7,2						
Troughput <sup>3</sup>	600 l/h	1.000 l/h	1.300 l/h	1.700 l/h	2.200 l/h	2.700 l/h	3.300 l/h
<b>Sensitivity<sup>1</sup></b>							
Material - test pieces	Fe <sup>4</sup>	SS <sup>4</sup>	Fe	SS			
M-Pulse2	0,3 mm	0,9 mm	0,5 mm	1,0 mm			
Digital2	0,35 mm	1,1 mm	0,6 mm	1,1 mm			
MESEP	0,6 mm	1,2 mm	1,0 mm	1,5 mm			

Ordering code:

Elektronic

M-Pulse2 / Digital2 / MESEP

Type of separator

Extraktor 38 - Extraktor 70

(e.g.: MESEP Extraktor 50)

<sup>1</sup> The actual sensitivity depends on various factors. Unfavourable environmental conditions or vibrations can reduce the sensitivity. Conductive test material can also influence the sensitivity. For obliging information please contact our service or sales department. Our service includes product tests in our headquarters.

<sup>2</sup> Other materials available (glas, antistatic; wear-resistant)

<sup>3</sup> Measured with granulate PET - grain dimension 2 - 3 mm.

<sup>4</sup> Fe → Ferrous / SS → Stainless steel



### Special designs & accessories

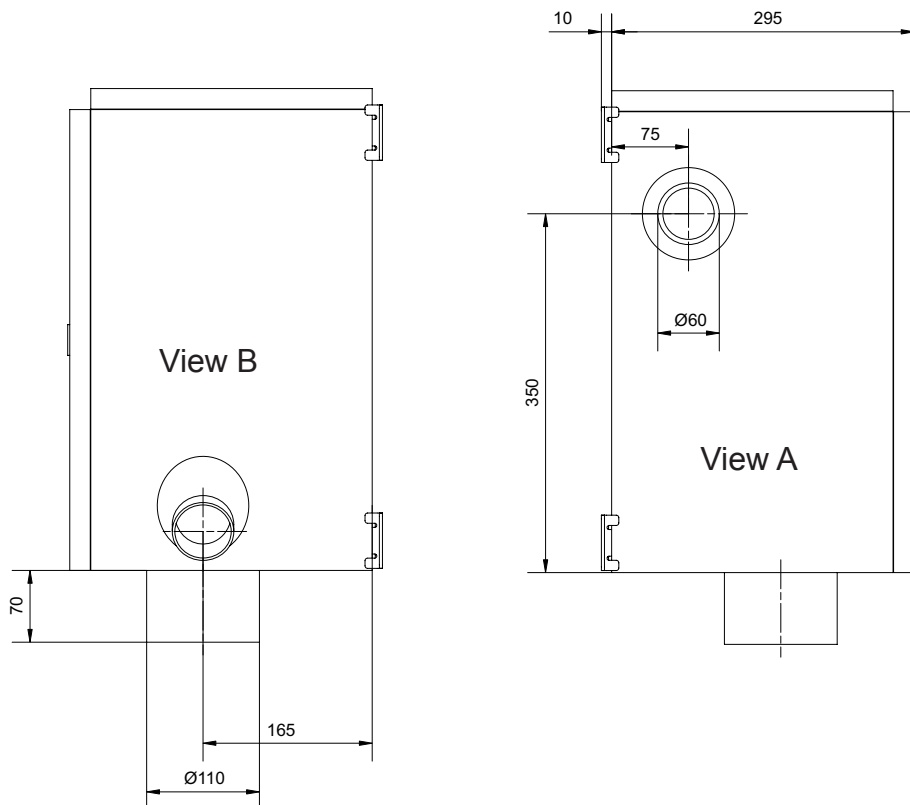
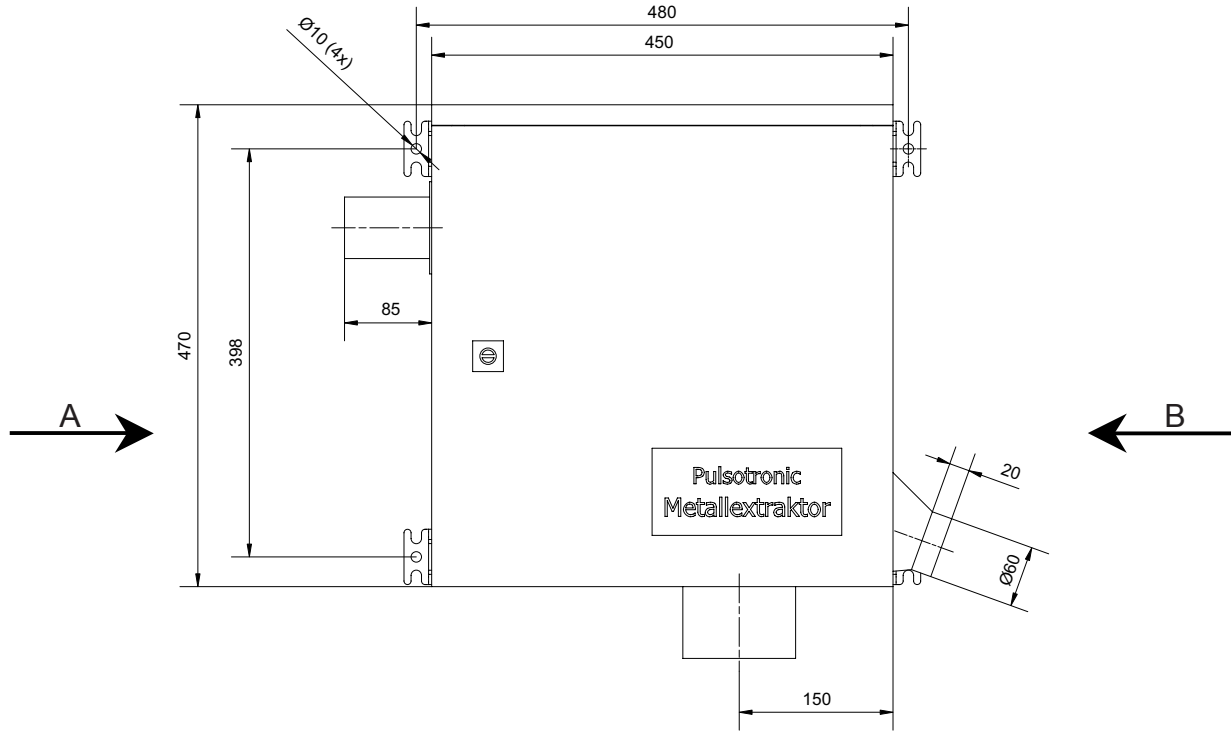
Designation	Order number
Pneumatic guard	When ordering please add option 45
Wear-resistant model (for very abrasive bulk material)	When ordering please add option 44
Pneumatic cooling	Please specify when ordering

Metal separator Extraktor



p-u-l-s-o-t-r-o-n-i-c

## Dimensions



Metal separator Extractor